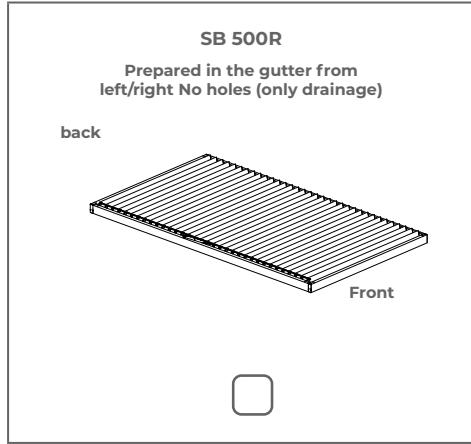
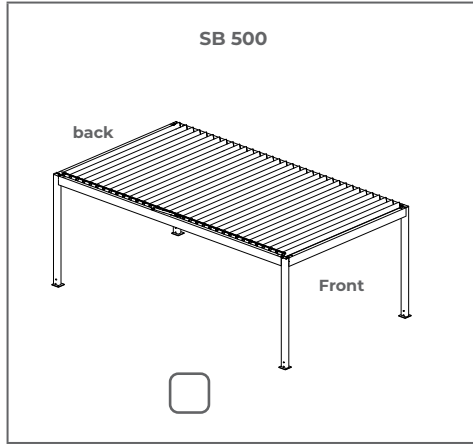


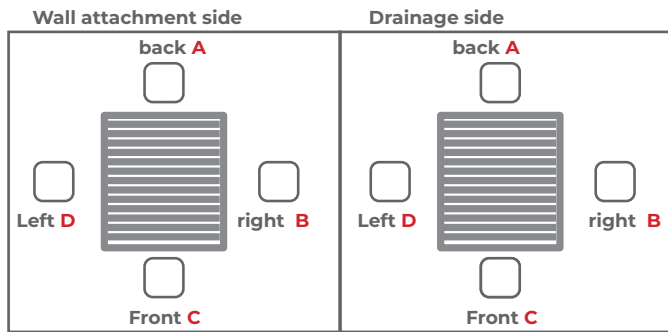
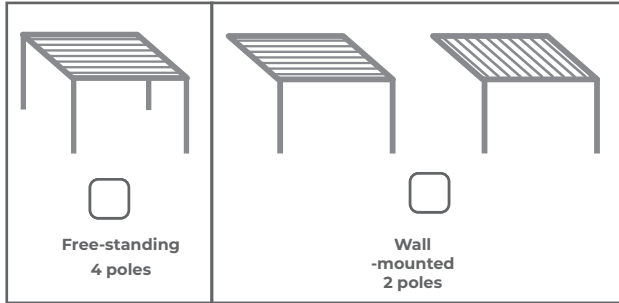
Subject order no.

1. Model SB 500

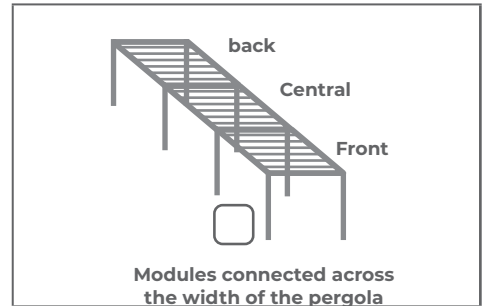
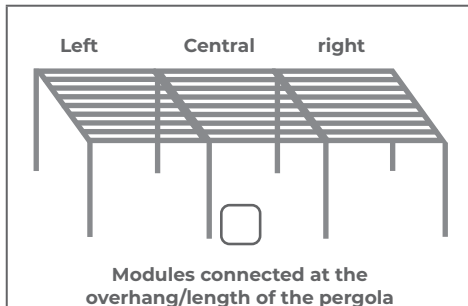
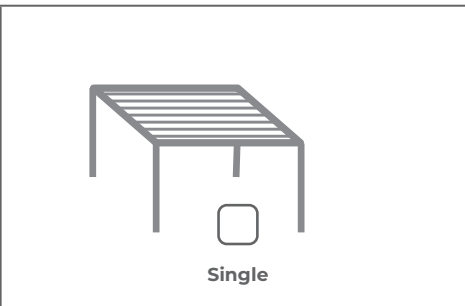


DRAINAGE FROM GUTTERS	
Prepared in the gutter from left/right No holes (only drainage)	Drainage hole made at a distance of [...] from the rear to the axis of the hole
1	1 mm
2	2 mm
3	3 mm
4	4 mm
*Plastic drain for extra charge	

2. Variant of pergola



Is the product in modular version?

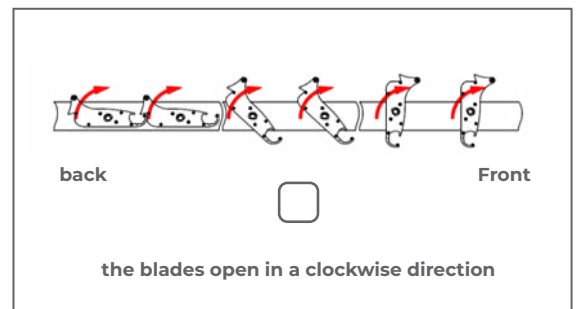
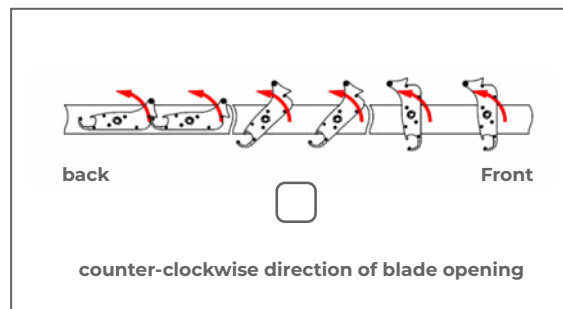


4. colours

Construction	Blades
<input type="checkbox"/> Ral 9016 mat	<input type="checkbox"/>
<input type="checkbox"/> FSM 71319 struktura	<input type="checkbox"/>
<input type="checkbox"/> RAL 7016 mat	<input type="checkbox"/>
Other RAL* Construction	
<input type="text"/>	
Inny kolor RAL* Blades	
<input type="text"/>	

* at extra charge

5. Direction of blades opening



6. Roof Slant

Flat/even Roof

Slanted roof TOWARDS the motor**

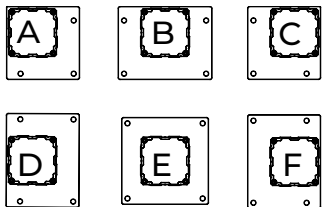
Slanted roof FROM the motor*

* As a standard we produce the slanted roof FROM the motor

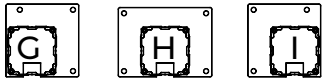
** Height difference between the ends of the roof blade is 5mm

7. Feet

Feet without drainage

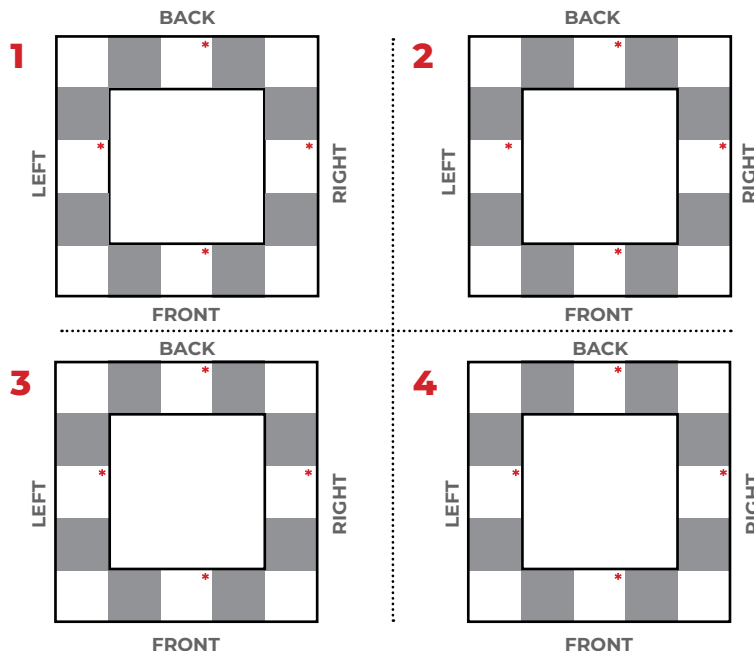


Feet with drainage



DIRECTION OF WATER DRAINAGE

8. Enter the type of foot in the appropriate white boxes for every ordered module (max. 4 on one form)



ADDITIONAL POLES AT EXTRA CHARGE, WITHOUT DRAINAGE




*** DISTANCE BETWEEN POLES INTERMEDIATE POLES LEFT AND RIGHT CLEARANCE TO REAR POLE

INTERMEDIATE POLES FRONT AND REAR CLEARANCE TO THE LEFT-HAND POST



IN THE WALL MOUNTED VERSION, WITHOUT E.G. REAR POSTS, THE DISTANCE MEASURED FROM THE INTERMEDIATE POLE TO THE END OF THE PERGOLA

9. Dimensions

No.	Width max 5000mm	Overhang/length max 7000mm	Clear height max 3200mm	Engine side left/ right	Wall attachment side Left/Right/ Front/Rear	Drainage side Left/ Right Front/ Rear	Module: 1.Single 2.Left/centre/Right 3. Front/centre/Rear ** one leg on the joint overhang - 150 mm (one beam at joint)	Intermediate pole Left/ Right / Front/ Rear	Intermediate pole SYMMETRICALLY  or specify the distance of the intermediate column ***
1									
2									
3									
4									

10. Controlling

- Engine Picolo 230V 0-90°
- Engine Pergola 24V 0-120°
- Pergola 12 V motor + SOLAR set
- Somfy slim RTS
- Somfy slim IO
- Elero Combio 868
- Somfy IO Louver
- Remote control 5k RTS
- Remote control 5k IO
- Remote control 5k Elero
- Remote control 5k IO

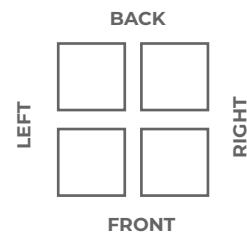
11. led lighting

- Led strip around inner perimeter of pergola 3200K COB
 - Light points in the blades* 3200K COB
- * radio receiver compatible with selected control unit included in price

12. Led control

- Mi light + Pilot (in price)
- Somfy white Led Receiver IO
- Somfy Lighting Slim Receiver RTS
- Elero Combio 868 LI

13. Led power supply mounting mounting pol



Additional automation, remote controls/sensors, etc.

Delivery address

Notes

The Buyer declares that he is fluent in English, understands the statements made and received in English. He understands his order and has read and accepts the General Terms and Conditions of Sale, the General Terms and Conditions of Guarantee and the Technical and Operational Documentation and the Declaration of Performance. For outdoor systems, the Declaration of Conformity and for motorised systems and the information for the installation of the safety components for indoor chain and cord systems, available at: www.selt.com

Signature

Orderer

Date